



**QUARTER-TURN ELECTRICAL ACTUATOR
VT-OM SERIES**





VAHN-TECH International Inc., headquartered in Toronto, Canada is a unique company within the Flow Control Industry.

- ✦ 'vt' brand = high quality certified products (API, NSF, CSA, WRAS etc.)
- ✦ Valves, Actuators and Accessories – all 'vt' branded
- ✦ Width and Depth of Product Offerings
- ✦ Flexibility to customize products to customer needs
- ✦ Specialized user-friendly products including large sizes
- ✦ Quick Response
- ✦ Reduced Delivery times
- ✦ Efficient after sales service
- ✦ Competitive Pricing

VAHN-TECH International Inc. is a customer focused organization based on “Value-Add” and “Quality Service” principles. Achieving long term partnership with our customers and being their supplier of choice is our prime mission.

We develop, manufacture and market VAHN-TECH (vt) branded Valves, Actuators, Automatic Control Valves and Accessories for variety of Industrial Applications. Our product range includes:



Oil and Gas



Water and Sewage,
Desalination



Chemicals



Paper and Pulp



Irrigation



Power Plants



Various
Industrial Applications

We can supply all types of valves with following materials of construction like:

Ductile Iron, Cast Iron, Carbon Steel, Stainless Steel – SS304, SS304L, SS316, SS316L, Duplex Stainless Steel, Super Duplex, Alloy, Monel and Inconel with variety of seating and stem configurations.



License Number 00-1724



C US



APPROVED
PRODUCT



Intertek



Quarter-Turn
Electric Actuator

VT-OM SERIES



VT-OM Series Electric Actuators offer a range of 35 N.m ~ 4500 N.m torque. The actuator comes standard with NEMA 4x (IP 67) environment rating. All models are ISO 5211 compliant and have a visual position indicator. The manual override can be operated without clutch and brake.



Quarter-Turn
Electric Actuator



GENERAL INFORMATION

Enclosure:

- ▶ IP67, NEMA 4X: Water proof and dust-proof enclosure
- ▶ Material: Dry Polyester Powder Coating Aluminum Alloy, corrosion protection C3

Motor:

- ▶ F (Standard) or H (Optional) Insulation class for all models
- ▶ Built-in thermal protection prevents motor burning out.

AC Motor: 125 ± 5°C / 257 ± 9°F

DC Motors: 90 ± 5°C / 194 ± 9°F

Duty Cycle:

- ▶ All Models: 30% Duty Cycle (Standard)
- ▶ Extended Duty Cycle: (Optional)
VT-OM-A, VT-OM-A-M, VT-OM-1~VT-OM-8: 75% Duty Cycle
VT-OM-9 ~ VT-OM-13: 50% Duty Cycle

Position Indicator:

- ▶ All models have continuous mechanism position indicator on the top actuator cover.

Manual Override:

- ▶ Non-clutch design, the manual operation can be operated without any lever, clutch or brake upon power outage.
- ▶ When electric motor is operating, handwheel won't rotate for personal safety purpose.

Gear Train:

- ▶ High alloy steel gear trains provide self-locking function to avoid valve back drive.
- ▶ Gear trains have been already lubricated sufficiently with anti-high temperature lubricant at the factory.

Working Condition:

- ▶ Ambient Temperature: -30°C ~ +65°C / -22°F ~ +149°F
- ▶ The Humidity: 30% ~ 95%

Certificates:

- ▶ CE
- ▶ CSA
- ▶ RoHS Compliance





Quarter-Turn
Electric Actuator



SELECTION STEPS

- a. Before mounting actuator, verify that the torque requirement of valve is less than the output torque of the actuator. (The suggested safety factor is 1.3)

For Example:

If the maximum torque of 5" valve is 80 N.m. → 80 x 1.3 (Safety Factor) = 104 N.m
 104 N.m < 150 N.m (VT-OM-3) OK!
 104 N.m < 90 N.m (VT-OM-2) NO!

- b. Check that output shaft adaptor fits stem of valve before inserting into actuator. If not, please use suitable adaptor or mounting kit.

Specification

Model No.	Max Torque		Weight		Nominal Power	Running Time	Manual Override
	Nm	lb-in	Kg	lb	Watt	(sec./90°)	
VT-OM-A	50	443	3	6.61	10	27	N/A
VT-OM-A-M	50	443	3	6.61	10	27	Lever
VT-OM-1	35	310	2	4.41	10	12	Lever
VT-BM-2	120	1063	5.5	12.13	40	96	N/A
VT-OM-F	65	576	11	24.25	60	6	Handwheel
VT-OM-2	90	797	11	24.25	40	17	
VT-OM-G	120	1063	11	24.25	60	8	
VT-OM-3	150	1328	11	24.25	40	26	
VT-OM-4	400	3542	20	44.09	80	19	
VT-OM-5	500	4427	20	44.09	80	26	
VT-OM-6	650	5456	20	44.09	80	34	
VT-OM-7	1000	8855	32	70.55	120	50	
VT-OM-8	15000	13282	32	70.55	120	51	
VT-OM-9	2000	17709	71	156.53	180	62	
VT-OM-10	2500	22137	71	156.53	180	62	
VT-OM-11	3000	26564	72	158.73	180	62	
VT-OM-12	3500	30991	72	158.73	220	62	
VT-OM-13	4500	39846	106	233.69	220	88	

🍁 Motor power and speed data are based on 110VAC @60Hz, 30% duty cycle, floating control.



Quarter-Turn
Electric Actuator

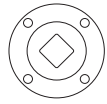
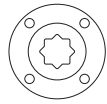
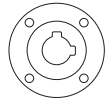
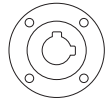
SELECTION STEPS



Power Supply

Model	12V		24V		1-Phase		3-Phase		
	DC	AC	DC	AC	110-V-120V	220-240V	220V	380V	440V
VT-OM-A, VT-OM-A-M, VT-OM-1	√	√	√	√	√	√			
VT-BM-2					√	√	√	√	√
VT-OM-F and VT-OM-G			√	√	√	√			
VT-OM-2 to VT-OM-10	√	√	√	√	√	√	√	√	√
VT-OM-11 and VT-OM-12			√	√	√	√	√	√	√
VT-OM-13					√	√	√	√	√

Mounting dimensions

Model No.	Mounting Flange (ISO 5211)	Shaft		Depth of Shaft		Key		
		mm	inch	mm	inch	mm	inch	
VT-BM-2		F07	2	0.87	30	1.18	N/A	
VT-OM-A		F05 / F07	17	0.67	20	0.78		
VT-OM-A-M		F05 / F07	17	0.67	20	0.78		
VT-OM-1		F03 / F05	14	0.55	17	0.67		
VT-OM-F, VT-OM-G		F07	22	0.87	30	1.18		
VT-OM-2, VT-OM-3		F07	22	0.87	30	1.18		
VT-OM-4, VT-OM-6		F10	36	1.38	40	1.57		
VT-OM-7, VT-OM-8		F12 or F14	35	1.38	60	2.36	10 x 10	0.39 x 0.39
VT-OM-9, VT-OM-12		F14 or F16	75	2.95	100	3.94	12 x 10	0.47 x 0.39
VT-OM-13		F16 / F25	72	2.83	110	4.33	20 x 12	0.79 x 0.47

OPTIONS and ACCESSORIES

SPACE HEATER



A space heater can increase the internal temperature and keep dry inside actuator to avoid the freezing lubricant and moisture causing actuator failure under low temperature or high humidity. Heater is not recommended if the ambient temperature is above 35°C/95°F. However, when the temperature varies much from day to night or between summer and winter, heater and thermostat (25±5°C/77°F±9°F) are recommended.

HEATER THERMOSTAT



This optional accessory can switch the heater off when the temperature inside the actuator is over 25°C / 77°F.

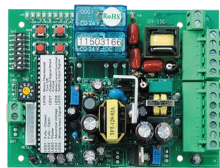
MODULATING CONTROLLER

Input Signal: 4-20mA, 1-5V, 2-10V

Output Signal: 4-20mA, 2-10V



VT-OM-1, VT-OM-A, VT-OM-A-M



VT-OM-2 VT-OM-13,
VT-OM-F, VT-OM-G

Actuator can be operated according to input signal and provide the output signal for indication.

TORQUE SWITCHES



This optional accessory can be provide over-load protection. It is available for VT-OM-2 to VT-OM-13 actuators and must be ordered with actuator.

ADDITIONAL LIMIT SWITCHES

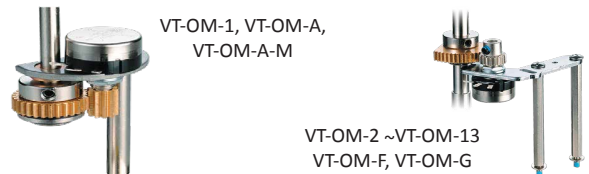


VT-OM-1, VT-OM-A,
VT-OM-A-M

VT-OM-2 ~ VT-OM-13 VT-BM-2,
VT-OM-F, VT-OM-G

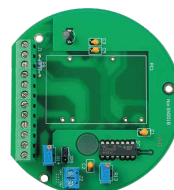
The standard models are equipped with the 1st & 2nd switches for fully-open and fully-closed. The optional accessory with the 3rd & 4th auxiliary switches which provide dry contacts for fully-open and fully-closed added.

POTENTIOMETER UNIT

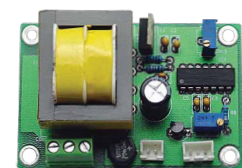


This optional accessory can be ordered with On/Off actuators. The selection has 1k or 5k ohm resistance values. It provides feedback signal for position indicator.

ANALOG SIGNAL OUTPUT



VT-OM-1, VT-OM-A, VT-OM-A-M



VT-OM-2-VT-OM-13, VT-OM-F, VT-OM-G

This optional accessory can provide various output signals for position indicator and etc. Output Signal : 0-20mA, 4-20mA, 0-5V, 0-10V, 2-10V

OPTIONS and ACCESSORIES

WIRING BOX



VT-OM-1, VT-OM-A, VT-OM-A-M VT-OM-2~VT-OM-13, VT-OM-F, VT-OM-G

This optional accessory can be connected all wires by the user without removing actuator cover.

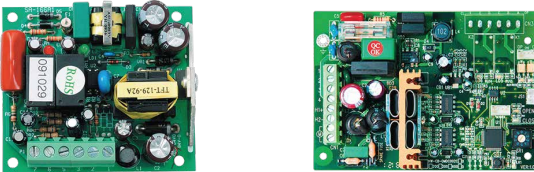
LOCAL CONTROL UNIT



VT-OM-1, VT-OM-A, VT-OM-A-M VT-OM-2 VT-OM-13, VT-OM-F, VT-OM-G

This optional accessory can be used in field control. It provides Local/Remote selection switches and Open/ Close selection switches.

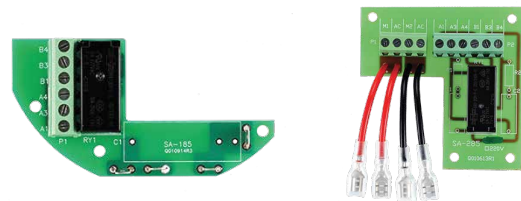
EXTENDED DUTY CYCLE (IEC STANDARD)



VT-OM-1, VT-OM-A, VT-OM-A-M: 75% Duty Cycle
VT-OM-2~VT-OM-8: 75% Duty Cycle
VT-OM-9~VT-OM-13: 50% Duty Cycle

This optional accessory is allows for higher duty cycle.

COUPLING WIRING



VT-OM-1, VT-OM-A, VT-OM-A-M VT-OM-2~VT-OM-13
VT-OM-F, VT-OM-G

This optional accessory is recommended when a set of control wire or switch needs to control two or more actuators at the same time.

Adjustable Speed Board

This optional accessory can adjust the actuator speed (running time) from standard to 30s, 60s, 90s and so on (Max. 200s, 300s, or 600s) according to user's need. The fastest speed is the standard speed. It is available for VT-OM-2 to VT-OM-13 AC 110/220V, 1-PH actuators.

Chain Wheel

This optional accessory can convert the hand-wheel override to a chain driven override in application of actuator mounted at a distance above the floor. It is available VT-OM-2 to VT-OM-13, VT-OM-F, VT-OM-G actuators.



OTHER OPTIONS

Motor Insulation Class

Standard: F Class
Optional: H Class

Enclosure Material

Optional: SS316
Enclosure: VT-OM1 to VT-OM6

Communication Protocol

Modbus RTU RS485

IP Rating

IP68 7 meter / 72 hours

Conduit Entries

Standard: 1/2" PS
Optional: 3/4" PF
12" NPT
M20

Optional Voltages

125VDC
575VAC/3PH
208VAC/3PH

Extended Travel

Standard: 0°~90°
Optional: 91°~270°
Available: VT-OM-1 ~VT-OM-8, VT-OM-F, VT-OM-G



Quarter-Turn
Electric Actuator

HAZARDOUS AREA ENCLOSURES



ATEX European Hazardous Area: IEC 60079-0, IEC 60079-1, IEC60079-31

Directive	Group	Ambient Temperature
ATEX II 2 GD	Ex db IIB T4 Gb	-30°C ~ +70°C (-22°F ~ +158°F)
ATEX II 2 GD	Ex tb IIIC T130°C Db	-30°C ~ +70°C (-22°F ~ +158°F)

IECEx International Hazardous Area: EN60079-0, EN60079-1, EN60079-31

Group	Ambient Temperature
Ex db IIB T4 Gb	-30°C ~ +70°C (-22°F ~ +158°F)
Ex tb IIIC T130°C Db	-30°C ~ +70°C (-22°F ~ +158°F)

North American Hazardous Area:

Zone System :

- CAN/CSA-C22.2 No. 0-10 ➤ CAN/CSA-C22.2 No. 60079-0
- CAN/CSA-C22.2 No. 60079-1 ➤ CAN/CSA-C22.2 No. 60079-31
- UL 60079-0 ➤ UL 60079-1 ➤ UL 60079-31

National Conformity	Class	Zone	Protection Method	Groups	T-Code	Standard Temperature
AEx / Ex	I	1	db	IIB, IIA	T4	-30°C ~ +70°C (-22°F ~ +158°F)
AEx / Ex	II	21	tb	IIC, IIB, IIIA	T130°C	-30°C ~ +70°C (-22°F ~ +158°F)

Division System:

- CAN/CSA-C22.2 No. 0-10 ➤ CSA C22.2 No. 30-M1986
- CAN/CSA-C22.2 No. 25-17
- FM 3600 ➤ FM 3615 ➤ FM 3616

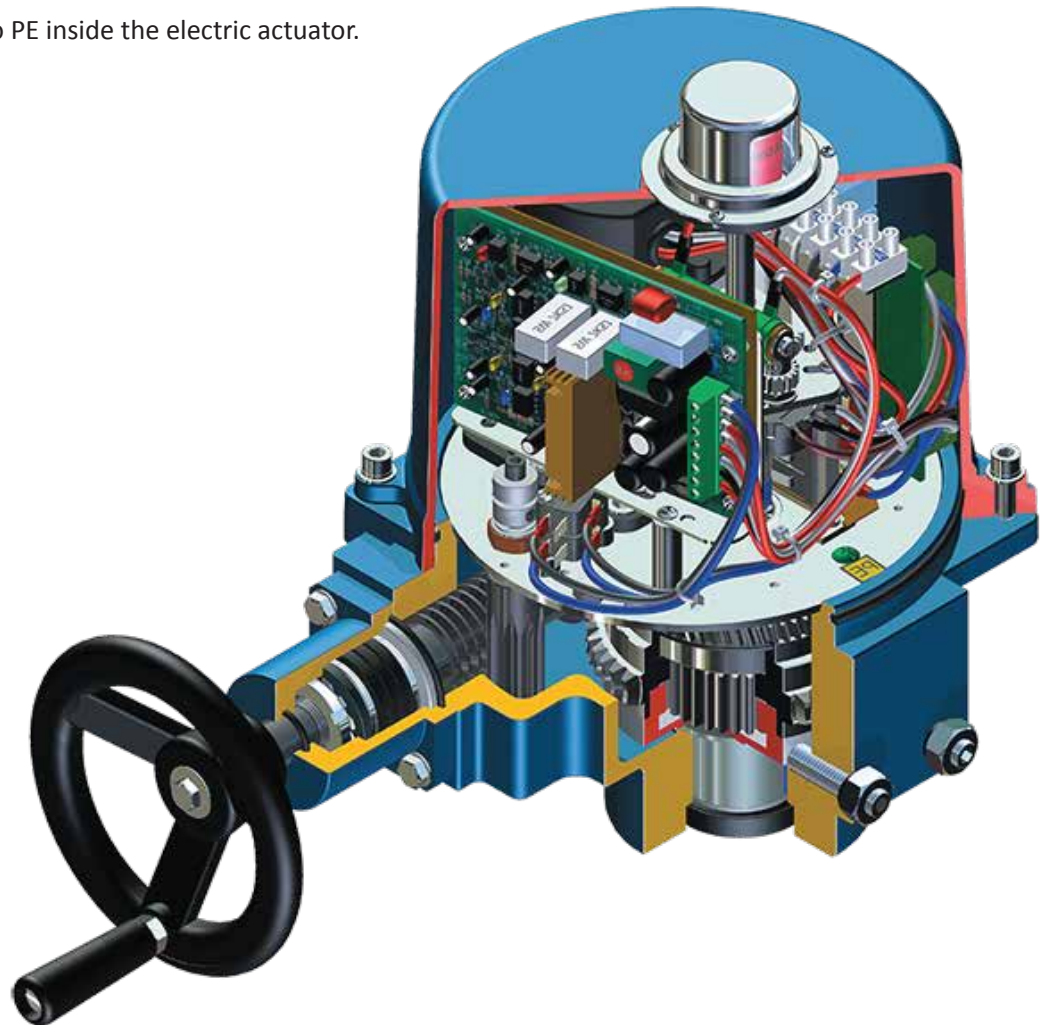
Class	Division	Groups	T-Code	Standard Temperature
I	1	C, D	T4	-30°C ~ +70°C (-22°F ~ +158°F)
II	1	E, F, G	T130°C	-30°C ~ +70°C (-22°F ~ +158°F)

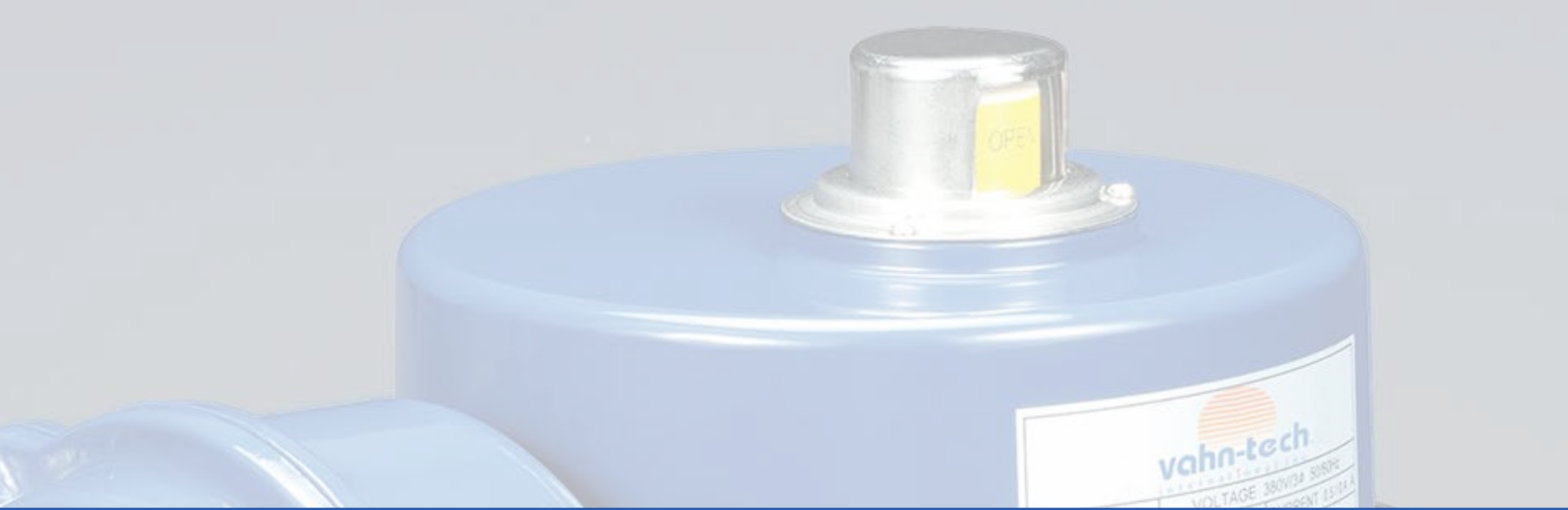
🇨🇦 For more details on the explosion proof and hazardous area enclosure, please contact us.



IMPORTANT NOTICES & MAINTENANCE

- ▶ Check for correct voltage prior to wiring.
- ▶ Turn power off before servicing or for maintenance purpose.
- ▶ Use sealant to seal conduit connections after wiring to prevent dusting or water contamination.
- ▶ The angle of electric actuator installation must be between 0-180 degrees. Do not install upside down or below the horizontal.
- ▶ When more than one electric actuator need to operate simultaneously, please connect together the individual cables or install a coupling board.
- ▶ Not intended for vacuum spaces. Avoid installing near explosive atmospheres.
- ▶ Actuators should be placed at clean and dry place for storage, and protected with outer carton from being affected by great temperature difference or serious vibration.
- ▶ Do not touch any components on the PCB with metal tools or bare hands.
- ▶ Connect the ground wire to PE inside the electric actuator.



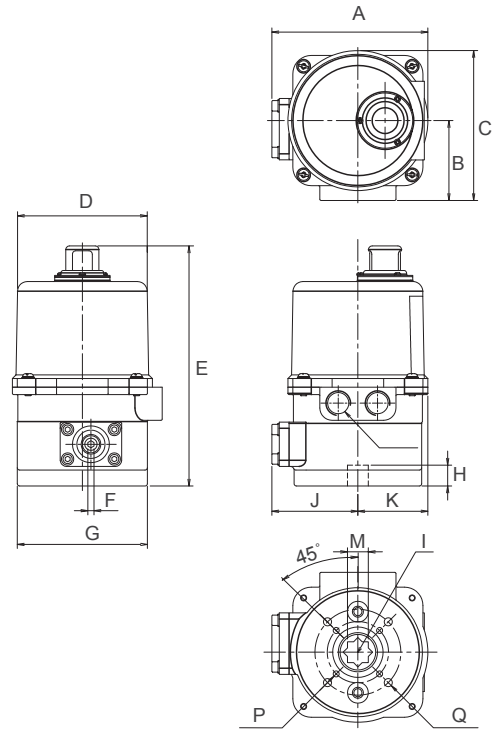


ACTUATOR DIMENSION





ACTUATOR DIMENSION



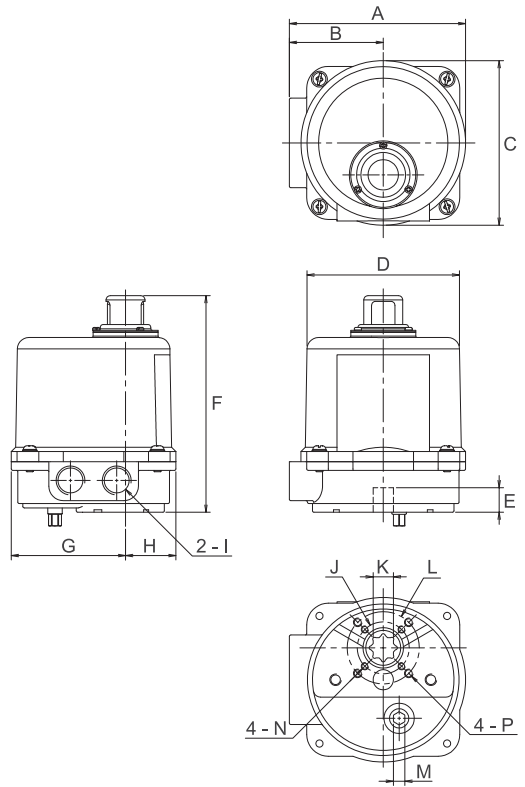
mm																	
Model No.	A	B	C	D	E	F	G	H	I	J	K	L	M	N	P	Q	Flange Type
VT-OM-A	114	122	65	∅106	196	-	∅106	1/2" PS	20	57	57	∅50	17	∅70	M16*1.0	M8*1.25	F05 / F07
VT-OM-A-M	127	122	65	∅106	196	5	∅102	1/2" PS	20	70	57	∅50	17	∅70	M16*1.0	M8*1.25	F05 / F07

inch																	
Model No.	A	B	C	D	E	F	G	H	I	J	K	L	M	N	P	Q	Flange Type
VT-OM-A	4.49	4.8	2.56	∅4.173	7.71	-	∅4.173	1/2" PS	0.78	2.24	2.24	∅1.97	0.67	∅2.76	M16*1.0	M8*1.25	F05 / F07
VT-OM-A-M	5.0	4.8	2.56	∅4.17	7.71	0.2	∅4.16	1/2" PS	0.78	2.76	2.24	∅1.97	0.67	∅2.76	M16*1.0	M8*1.25	F05 / F07

VT-OM-A, OM-A-M



ACTUATOR DIMENSION



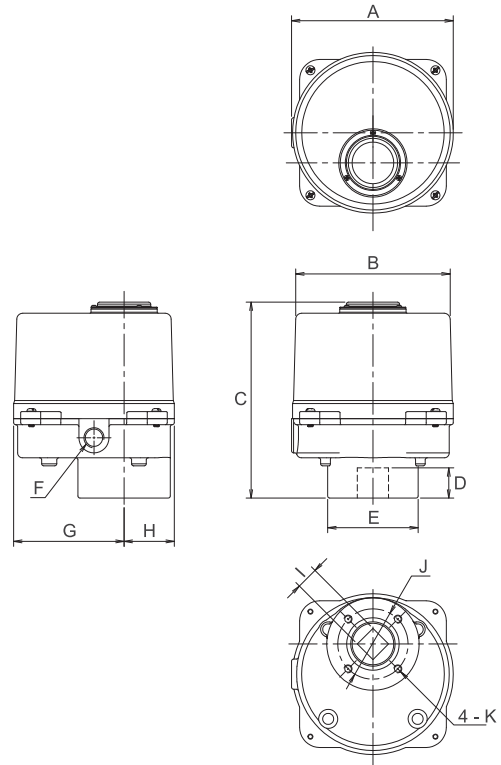
mm																
Model No.	A	B	C	D	E	F	G	H	I	J	K	L	M	N	P	Flange Type
VT-OM-1	122	65	114	Ø106	17	150	79	35	1/2" PS	Ø36	14	Ø50	8	M5*0.8	M6*1.0	F03 / F05

inch																
Model No.	A	B	C	D	E	F	G	H	I	J	K	L	M	N	P	Flange Type
VT-OM-1	4.8	2.56	4.49	Ø4.173	0.67	5.9	3.11	1.38	1/2" PS	Ø1.42	0.551	Ø1.968	0.314	M5*0.8	M6*1.0	F03 / F05

VT-OM-1



ACTUATOR DIMENSION



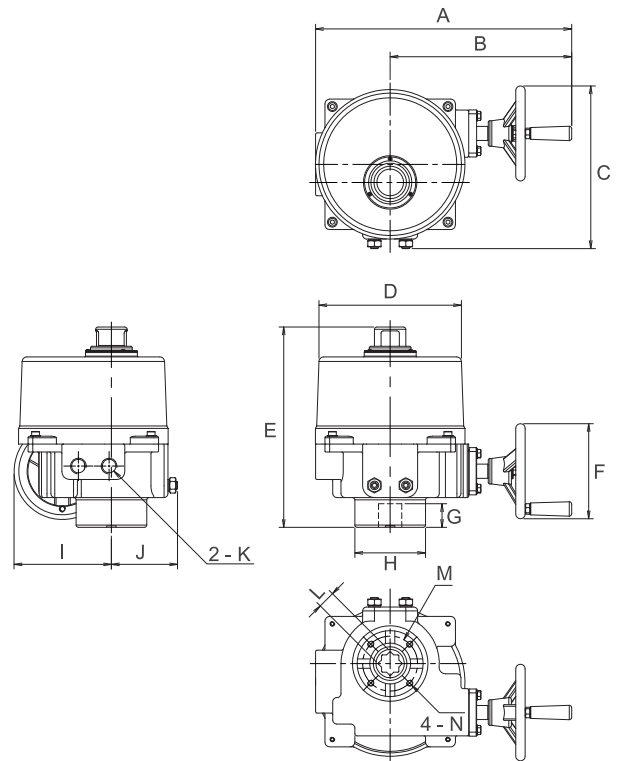
mm												
Model No.	A	B	C	D	E	F	G	H	I MAX	J	K	Flange Type
VT-BM-2	161	∅154	195	30	∅90	1/2" PS	110	50	22	∅70	M*81.25	F07

inch												
Model No.	A	B	C	D	E	F	G	H	I MAX	J	K	Flange Type
VT-BM-2	161	∅154	195	30	∅90	1/2" PS	110	50	22	∅70	M*81.25	F07

VT-BM-2



ACTUATOR DIMENSION



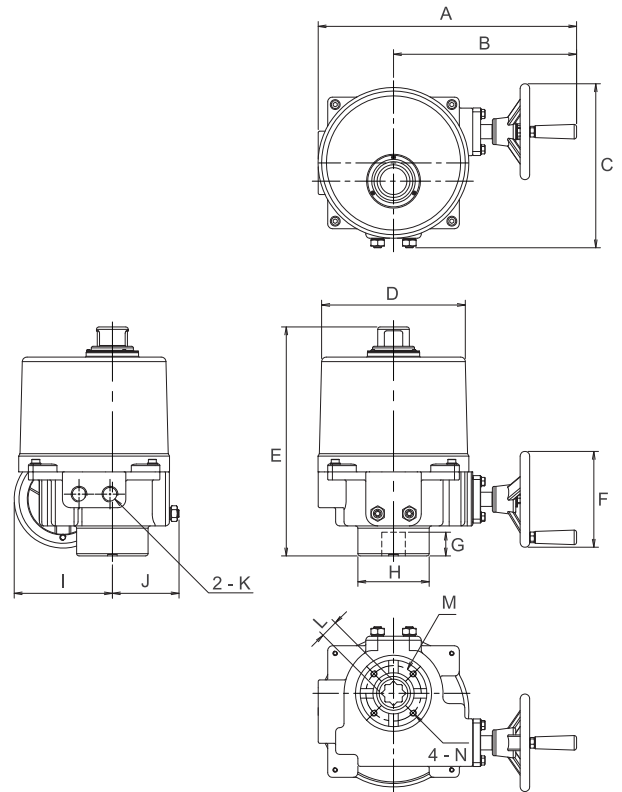
mm															
Model No.	A	B	C	D	E	F	G	H	I	J	K	L	M	N	Flange Type
VT-OM-2~VT-OM-3	326	231	207	∅181	255	∅121	30	∅90	124	84	1/2" PS	22	∅70	M8*1.25	F07

inch															
Model No.	A	B	C	D	E	F	G	H	I	J	K	L	M	N	Flange Type
VT-OM-2~VT-OM-3	12.83	9.09	8.15	∅7.13	10.04	∅4.76	1.18	∅3.54	4.88	3.31	1/2" PS	0.866	∅2.75	M8*1.25	F07

VT-OM-2~VT-OM-3



ACTUATOR DIMENSION



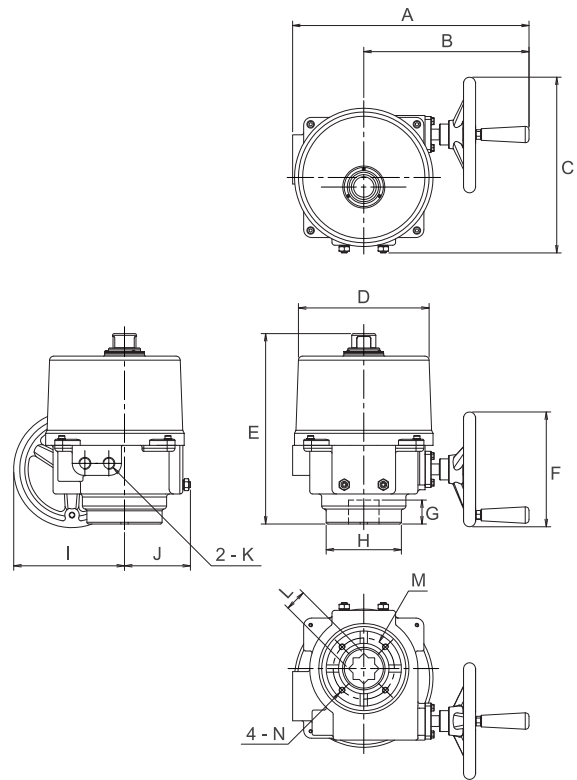
mm															
Model No.	A	B	C	D	E	F	G	H	I	J	K	L	M	N	Flange Type
VT-OM-F VT-OM-G	326	231	207	∅181	289	∅121	30	∅90	124	84	1/2" PS	22	∅70	M8*1.25	F07

inch															
Model No.	A	B	C	D	E	F	G	H	I	J	K	L	M	N	Flange Type
VT-OM-F VT-OM-G	12.83	9.09	8.15	∅7.13	11.38	∅4.76	1.18	∅3.54	4.88	3.31	1/2" PS	0.866	∅2.75	M8*1.25	F07

VT-OM-F, VT-OM-G



ACTUATOR DIMENSION



mm															
Model No.	A	B	C	D	E	F	G	H	I	J	K	L	M	N	Flange Type
VT-OM-4 ~ VT-OM-6	394	275	92.5	∅217	17	∅191	40	∅125	184	110	1/2" PS	36	∅102	M10*1.5	F10

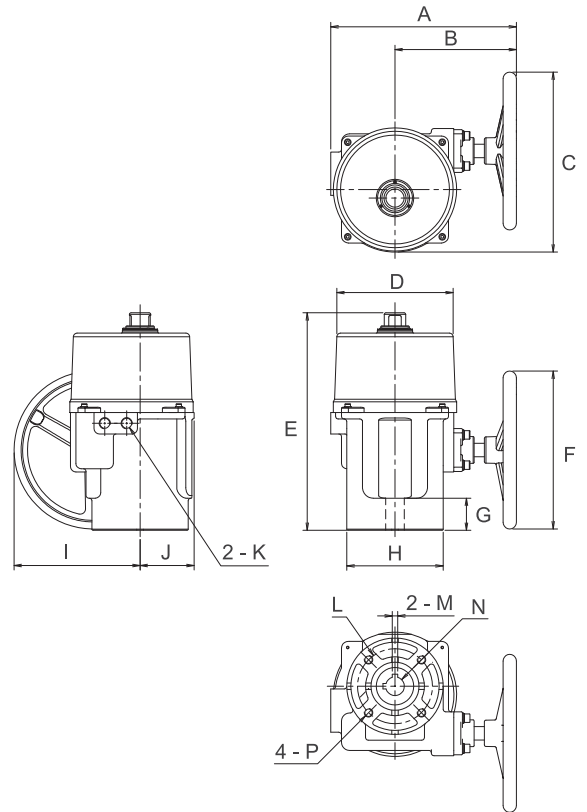
inch															
Model No.	A	B	C	D	E	F	G	H	I	J	K	L	M	N	Flange Type
VT-OM-4 ~ VT-OM-6	15.51	10.83	11.52	∅8.54	12.48	∅7.52	1.57	∅4.92	7.24	4.33	1/2" PS	1.42	∅4.20	M8*1.25	F10

VT-OM-4~VT-OM-6



Quarter-Turn
Electric Actuator

ACTUATOR DIMENSION



mm																
Model No.	A	B	C	D	E	F	G	H	I	J	K	L	M	N	P	Flange Type
VT-OM-7 ~ VT-OM-8	347	227	336	Ø217	406	Ø295	60	Ø180	235	101	1/2" PS	Ø125	10	Ø35	M12*1.75	F12
															M16*2.0	F14

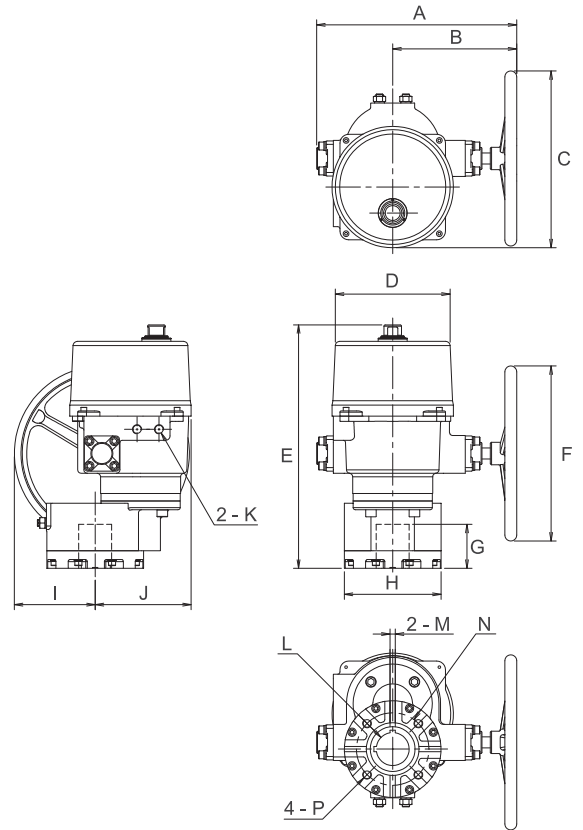
inch																
Model No.	A	B	C	D	E	F	G	H	I	J	K	L	M	N	P	Flange Type
VT-OM-7 ~ VT-OM-8	347	227	336	Ø217	406	Ø295	60	Ø180	235	101	1/2" PS	Ø125	10	Ø35	M12*1.75	F12
															M16*2.0	F14

VT-OM-7~VT-OM-8



Quarter-Turn
Electric Actuator

ACTUATOR DIMENSION



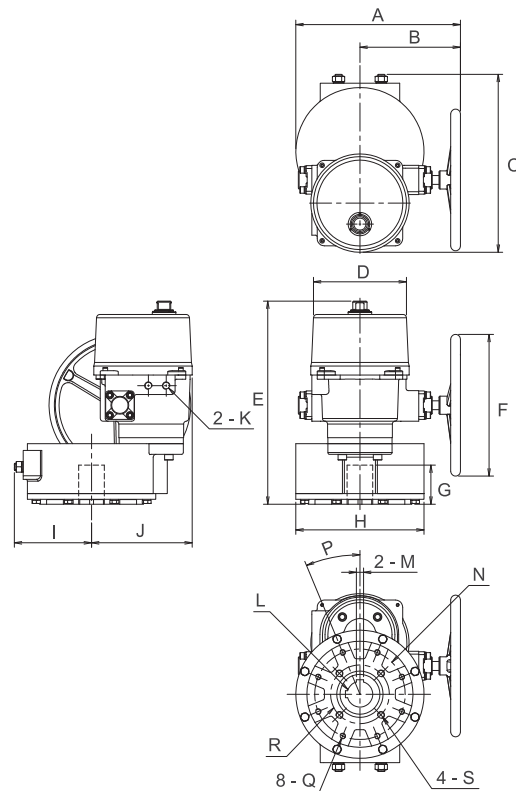
mm																
Model No.	A	B	C	D	E	F	G	H	I	J	K	L	M	N	P	Flange Type
VT-OM-9 ~ VT-OM-12	455	282	402	Ø261	554	Ø398	100	Ø220	184	218	1/2" PS	Ø75	12	Ø140	M2*2.0	F14
														Ø165	M20*2.5	F16

inch																
Model No.	A	B	C	D	E	F	G	H	I	J	K	L	M	N	P	Flange Type
VT-OM-9 ~ VT-OM-12	17.91	11.1	15.83	Ø10.28	21.81	Ø15.57	3.94	Ø8.66	7.24	8.58	1/2" PS	Ø2.95	0.48	Ø5.511	M2*2.0	F14
														Ø6.50	M16*2.0	F16

VT-OM-9~VT-OM-12



ACTUATOR DIMENSION



mm																			
Model No.	A	B	C	D	E	F	G	H	I	J	K	L	M	N	P	Q	R	S	Flange Type
VT-OM-13	462	282	500	∅261	571	∅398	110	∅360	217	283	1/2" PS	∅72	20*12	∅254	22.5	M16*2.0	∅165	M20*2.5	F16 / F25

inch																			
Model No.	A	B	C	D	E	F	G	H	I	J	K	L	M	N	P	Q	R	S	Flange Type
VT-OM-13	18.19	11.1	19.69	∅10.28	22.48	∅15.67	4.33	∅14.17	8.54	11.14	1/2" PS	∅2.84	0.79*0.48	∅10	22.5	M16*2.0	∅0.65	M20*2.5	F16 / F25

VT-OM-13



Quarter-Turn
Electric Actuator

TYPICAL ACTUATOR SELECTION



Model No.	Type	Size	Material
VT-OM-1	Screwed Ends Ball Valve	1/2" ~ 1 1/2"	SS316 / Bronze / PVC / PP
VT-OM-A/AM	Screwed Ends Ball Valve	2"	SS316 / Bronze / PVC / PP
VT-BM-2	Screwed Ends Ball Valve	2" ~ 3"	SS316 / Bronze / PVC / PP
VT-OM-2	Screwed Ends Ball Valve	1 1/4" ~ 2"	SS316 / Bronze / PVC / PP
VT-OM-3	Screwed Ends Ball Valve	2 1/2" ~ 3"	SS316 / Bronze / PVC / PP
VT-OM-4	Screwed Ends Ball Valve	4"	Bronze / PVC / PP
VT-OM-1	Socket Welded Ends Ball Valve	1/2" ~ 1 1/2"	PVC / PP
VT-OM-A/AM	Socket Welded Ends Ball Valve	2"	PVC / PP
VT-BM-2	Socket Welded Ends Ball Valve	2" ~ 3"	PVC / PP
VT-OM-2	Socket Welded Ends Ball Valve	1 1/4" ~ 2"	PVC / PP
VT-OM-3	Socket Welded Ends Ball Valve	2 1/2" ~ 3"	PVC / PP
VT-OM-4	Socket Welded Ends Ball Valve	4"	PVC / PP
VT-OM-1	Flanged Ends Ball Valve	1/2" ~ 1"	Cast Iron / SS304 / SS316
VT-OM-A/AM	Flanged Ends Ball Valve	1 1/4" ~ 2"	Cast Iron / SS304 / SS317
VT-BM-2	Flanged Ends Ball Valve	1 1/4" ~ 3"	Cast Iron / SS304 / SS318
VT-OM-2	Flanged Ends Ball Valve	1 1/4" ~ 2"	Cast Iron / SS304 / SS319
VT-OM-3	Flanged Ends Ball Valve	2 1/2" ~ 3"	Cast Iron / SS304 / SS320
VT-OM-4	Flanged Ends Ball Valve	4" ~ 5"	Cast Iron / SS304 / SS321
VT-OM-5	Flanged Ends Ball Valve	6"	Cast Iron / SS304 / SS322
VT-OM-6	Flanged Ends Ball Valve	8"	Cast Iron / SS304 / SS323
VT-OM-7	Flanged Ends Ball Valve	10"	Cast Iron / SS304 / SS324
VT-OM-8	Flanged Ends Ball Valve	12"	Cast Iron / SS304 / SS325
VT-OM-1	3-Way Screwed Ends Ball Valve	1/2" ~ 1 1/2"	Bronze / SS316
VT-BM-2	3-Way Screwed Ends Ball Valve	2"	Bronze / SS316
VT-OM-2	3-Way Screwed Ends Ball Valve	1 1/2"	Bronze / SS316
VT-OM-3	3-Way Screwed Ends Ball Valve	2"	Bronze / SS316
VT-OM-1	3-Way Flanged Ends Ball Valve	1"	Cast Iron / SS304 / SS316
VT-BM-2	3-Way Flanged Ends Ball Valve	1 1/2" ~ 2"	Cast Iron / SS304 / SS316
VT-OM-2	3-Way Flanged Ends Ball Valve	1 1/2"	Cast Iron / SS304 / SS316
VT-OM-3	3-Way Flanged Ends Ball Valve	2"	Cast Iron / SS304 / SS316
VT-OM-4	3-Way Flanged Ends Ball Valve	2 1/2" ~ 3"	Cast Iron / SS304 / SS316
VT-OM-5	3-Way Flanged Ends Ball Valve	4"	Cast Iron / SS304 / SS316
VT-OM-A/AM	Butterfly Valve	2" ~ 3"	Cast Iron / SS310 / SS316 / PVC / PP
VT-BM-2	Butterfly Valve	2" ~ 4"	Cast Iron / SS310 / SS316 / PVC / PP
VT-OM-2	Butterfly Valve	2" ~ 3"	Cast Iron / SS310 / SS316 / PVC / PP
VT-OM-3	Butterfly Valve	4" ~ 5"	Cast Iron / SS310 / SS316 / PVC / PP
VT-OM-4	Butterfly Valve	6" ~ 8"	Cast Iron / SS310 / SS316 / PVC / PP
VT-OM-5	Butterfly Valve	10" ~ 12"	Cast Iron / SS310 / SS316 / PVC / PP
VT-OM-6	Butterfly Valve	14"	Cast Iron / SS310 / SS316 / PVC / PP
VT-OM-7	Butterfly Valve	16"	Cast Iron / SS310 / SS316 / PVC / PP
VT-OM-8	Butterfly Valve	18"	Cast Iron / SS310 / SS316 / PVC / PP

Notes:

1. Please check valve torque before mounting.
2. Please check working pressure, service fluid and temperature.

Distributors

AMERICAS

Aqua-Mecanique Inc.
825 Rue Salaberry, Laval,
Quebec H7S 1H,
CANADA

Tel.: +1 450-933-9962
info@aquamecanique.com

Conval Process Solutions Inc.
6185 Tomken Road, Units 3-5
Mississauga, Ontario L5T 1X6,
CANADA

Tel.: +1 416-665-8960
info@convalpsi.com

Imperial Valve Ltd.
3022 Spring Street,
Port Moody, BC V3H 1Z8,
CANADA

Tel.: +1 604-461-3438
sales@imperialvalve.com

N2X Process Solutions
2500 - 500 4th Avenue SW
Calgary, Alberta, T2P 2V6
CANADA

Tel.: +1 855-465-8985
info@n2x.ca

Proflow Pumping Solutions
206 Thru-Way Park Rd.
Broussard, LA 70518
Louisiana

Tel.: (337) 534-8174
allen.bourgeois@proflow.co

CG Industrial Specialties Ltd.
558 East Kent Ave. South,
Vancouver, British Columbia
V5X 4V6, CANADA

Tel.: +1 604-263-1671
sales@cgis.ca

Folsom Industrial
1815 West 2300 South Salt Lake
City, UT 84119,
USA

Tel.: +1 801-972-4600
sales@folsomindustrial.com

Triangle Pump and Equipment
7509 South 5th Street, Suite
103 Ridgefield WA 98642,
USA

Tel.: +1 360-887-9530

Techmatic, Inc.
4922 Technical Dr Milford,
MI 48381,
USA

Phone: +1 248-685-8166
sales@techmatic.com

**Mountain States Engineering
and Controls**
1520 Iris Street Lakewood, CO
80215, USA

Tel.: +1 303-232-4100
info@mnteng.com

Serv-Atron Inc.
14905 Smalling Road
North Little Rock, AR 72113,
USA

Tel.: +1 501-851-6166
gary@serv-atron.com

ECAMG LLC Colombia
3727 Greenbriar Drive STE 404
Stafford, TX 77477
USA

Tel.: +1 281-576-7414
sales@ecamg.com

EINSUR S.A. DE C.V.
Av. Veracruz No. 436 Col.
Petrolera Coatzacoalcos
Veracruz 96500, MEXICO

Tel.: +52 921-215-3650
ventas@einsur.com.mx

ASIA / MIDDLE EAST

Blue Star Limited
Bandbox House, 4th Floor,
254D Dr Annie Besant Rd,
WORLI Mumbai 400 030, INDIA

Tel.: +91 22-66544000

**Super Technical
Enterprises**
Street 29, Al Wakalat, Industrial
Area, QATAR

Tel.: +974 44505252

PTT Corporation Sdn Bhd,
Lot 1648, Kidurong Industrial
Area, Tg. Kidurong, Bintulu,
Sarawak, MALAYSIA

Tel.: +6086-255 888
sales@pttcorp.com.my

JJW Exports Co.
477/37 No Trang Long - P.13 Q.
Bin Thanh - TP Ho Chi Minh City,
VIETNAM

Tel.: +84 93 2000565

**Zibo Xinlu Machinery
Equipment Co., LTD**
Dahaiyan Industrial Park,
Baita Town, Boshan District,
Shandong Province, CN

Tel.: +86 53 3461 2800
ziboxinlu@163.com

Seven Planets Trading Est.
Riyadh, Saudi Arabia

Tel.: +966 11 472 4944
info@sevenplanetstrade.com

Sunpower Gen. LLC
Abu Dhabi, UAE

Tel.: +971 2 555 6969
info@sunpower.ae

**Super Technical
Enterprises**
P.O.Box 2828, Dubai, UAE

Tel.: +971 4 8861800

**Ethanmt Energy
Technologies Co., LTD.**
1106, Bldg.2, #6 CTYD, Futong E.
Ave. Chaoyang Distr, Beijing CN
Tel.: +84 93 2000565

AFRICA

Leinadibanie Nigeria Limited
1 Akintola Ajeigbe Street
Marwa, Lekki Phase 1, Lekki Lagos,
Nigeria

Tel.: +234 (0) 709 882 1631
leinadibanie@yahoo.com

Aqua Dynamic Limited
#17 Trans Amadi Road
(Mingi Motors Bldg.),
Nkpogu Port Harcourt, Nigeria

Tel.: +234 803 725 6829
info@aquadynamic.net

Edison Electromech Limited
33, South loop, Dome, Ga East Municipal,
Greater Accra,
Ghana

Tel.: +233 207 813 219
kanyane.edisonelctromechgh@gmail.com

RUSSIA & CIS

LIAISON OFFICE IN CANADA:

TOLKOF Consulting Limited
Bay # 157 10905-48 St. SE
Calgary Alberta T2C 1G8
CANADA

Tel.: +1 (403) 616-6120
oshabalin@tolkof.com
(Attn: Mr. Oleg Shabalin)

MOSCOW CONTACT:
Mr. Sergei Nikitin

Tel. +7(917) 539-72-53
snikitin@tolkof.com

VAHN-TECH International, DMCC

Cluster W|JBC # 5|Unit 2709
JLT|Dubai, UAE
Tel.: +971 4 434 0647

VAHN-TECH International Inc.

2608-88 Bluejays Way,
Toronto, Ontario, M5V 0L7, Canada
Tel.: +1 416 342 0001
info@vahn-tech.com

www.vahn-tech.com

VAHN-TECH International (UK) Ltd.

33 Oakleafe Gardens,
Ilford Essex, IG6 1LQ, United Kingdom
Tel.: +44 7956 493190