

# Sewage Air Release Valve

## Functions:

- Large air release during filling of the pipeline.
- Small air venting under pressurized pipeline.
- Large air intake during draining of the pipeline.

## Features:

- ✦ Advanced design with simple mechanism, strong stainless steel float to prevent cracking during sudden water hammer & quick closure.
- ✦ Aerokinetic mechanism to resist blow shut under higher air velocity even up to sonic velocity of air.
- ✦ 100% Spill Free: Enlarged body specially designed to lower the sewage water flow speed, short stroke designed for quick closure and internals shape engineered to prevent splash even with turbulent flows.
- ✦ Keeps dirty or corrosive liquid inside the body for safety during operation and prevents harming operators & surrounding environment.
- ✦ Internal body guide and upper round wall restrict float movement on its rail and keep liquid turbulence within this area.
- ✦ Much larger air flow through the nozzle even for higher viscosity liquid.
- ✦ All iron parts are coated inside & outside with fusion bonded epoxy for corrosion resistance as per AWWA C550.
- ✦ Sewage Air Release Valve fully complies with manufacturing standard AWWA C512 and BS EN 1074-4.



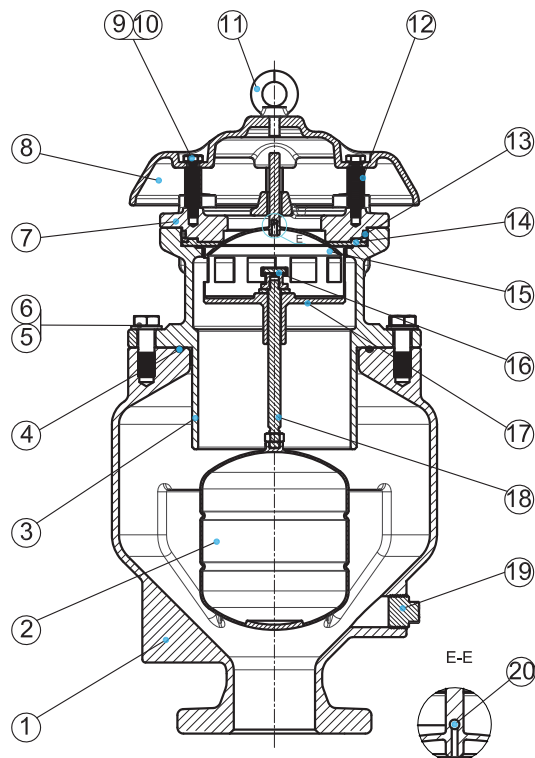
## Service Field:

Sewage Water System

## Technical Data:

Design Standard:	AWWA C512
Size Range:	2" - 8"
Pressure Rating:	200 psi
Working Temperature:	-10°C – 80°C
End Connection:	ANSI B16.1 / B16.5
Test & Inspection:	AWWA C512

## Sewage Air Release Valves (2" - 8")



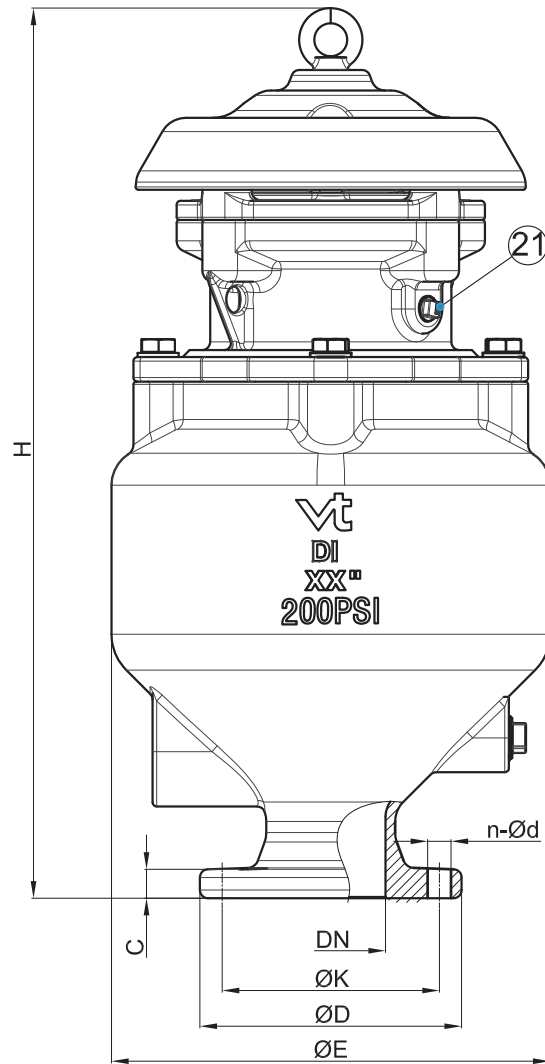
### Parts List & Materials

No.	Part Name	Material	Standard
01	Body	Ductile Iron	ASTM A536
02	Float	Stainless Steel	SS316
03	Middle Part	Ductile Iron	ASTM A536
04	O-Ring	Rubber	NBR
05	Hexagon Bolt	Stainless Steel	SS316
06	Washer	Stainless Steel	SS316
07	Bonnet	Ductile Iron	ASTM A536
08	Cover	Ductile Iron	ASTM A536
09	Washer	Stainless Steel	SS316
10	Hexagon Bolt	Stainless Steel	SS316
11	Eyebolt	Carbon Steel	Commercial
12	Pillar	Stainless Steel	SS316
13	O-Ring	Rubber	NBR
14	Seat	Rubber	NBR
15	Sealing Arc	Stainless Steel	SS316
16	Nozzle Seat	Rubber	NBR
17	Guide Barrel	Stainless Steel	SS316
18	Stem	Stainless Steel	SS316
19	Plug-Option	Stainless Steel	SS316
20	Small Nozzle	Stainless Steel	SS316
21	Plug-Option	Stainless Steel	SS316

\* Size ≥ DN200 have no pillar.

VAHN-TECH International Inc. reserves the right to change the technical data without prior notice.

## Sewage Air Release Valves (2" - 8")



### Main Dimensions

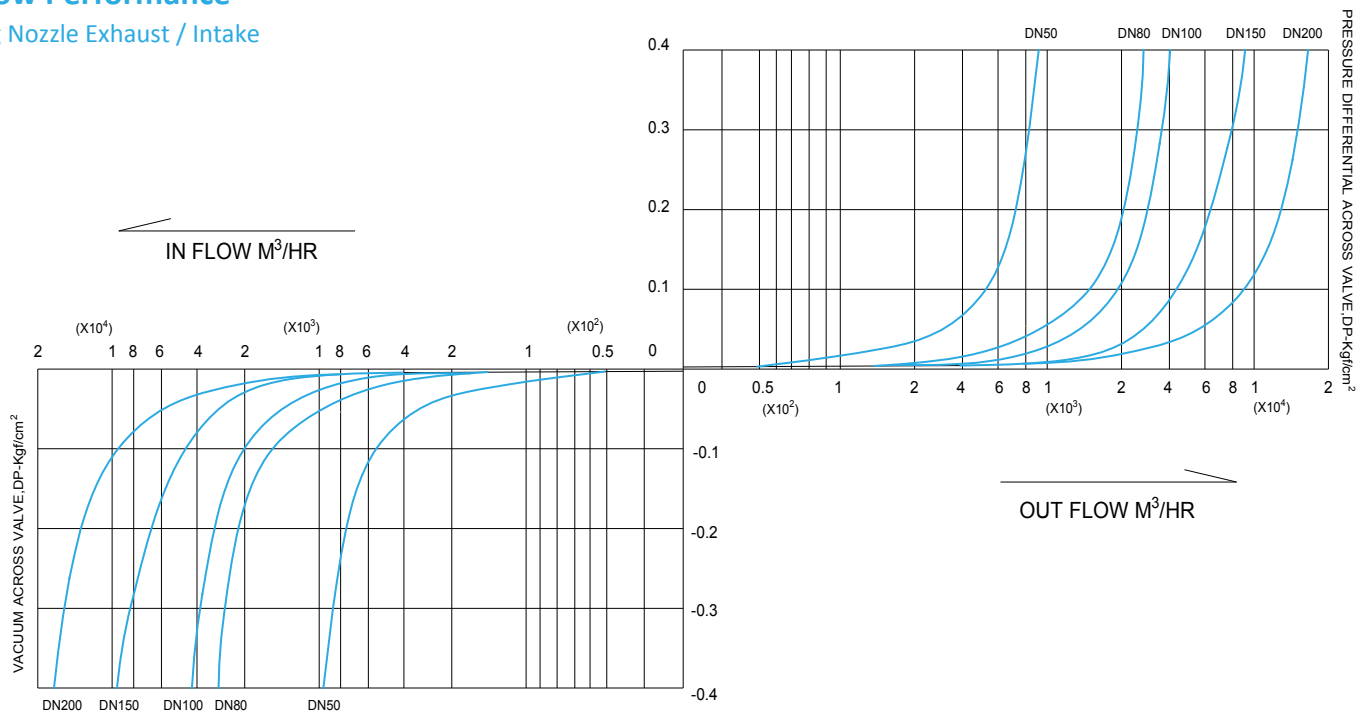
unit: inch

unit: mm

NPS	H	ØD	ØK	ØE	N-Ød	C	DN	H	ØD	ØK	ØE	N-Ød	C
2"	22	6	4 ¾	10	4 - ¾	¾	50	559	152	120.7	254	4 - 19	19.1
3"	25 ¾	7 ½	6	12 ⅝	4 - ¾	¾	80	653	191	152.4	320	4 - 19	19.1
4"	26 ⅞	9	7 ½	13 ⅜	8 - ¾	1	100	676	229	190.5	340	8 - 19	23.9
6"	31 ⅞	11	9 ½	15 ¾	8 - ⅞	1	150	810	279	241.3	401	8 - 22	25.4
8"	37 ⅞	13 ½	11 ¼	19 ¼	8 - ⅞	1 ⅛	200	950	343	298.4	488	8 - 22	28.6

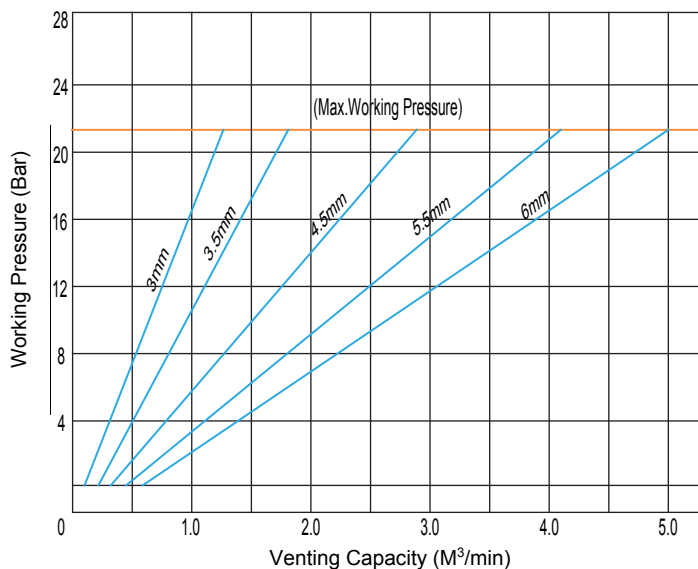
## Flow Performance

### Big Nozzle Exhaust / Intake



### Small Orifice Venting

#### Air release during working conditions

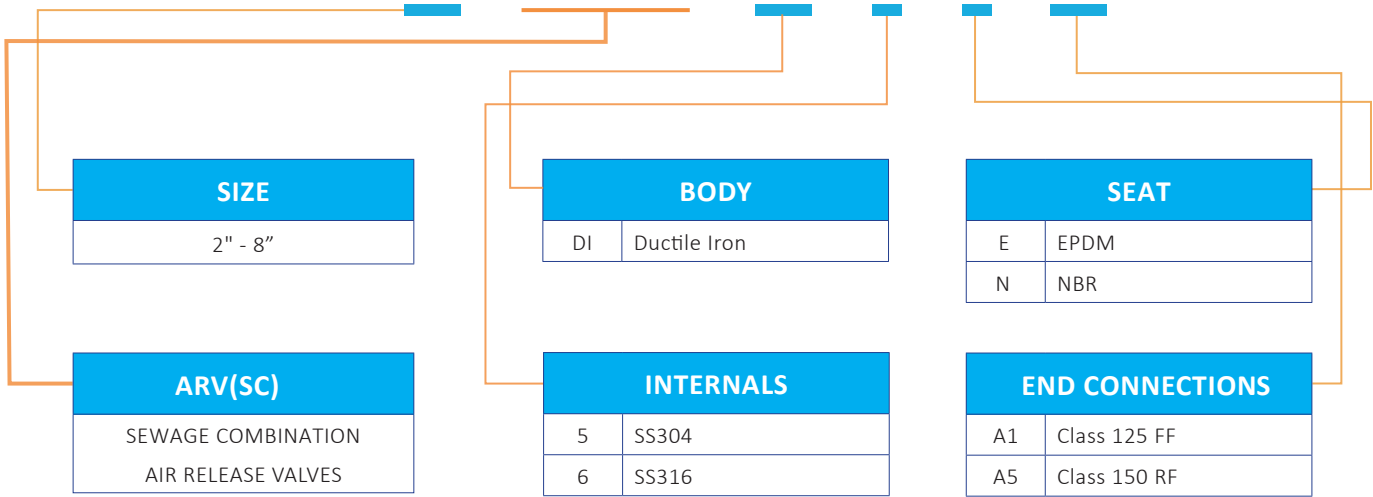


### Selection Criteria

<b>Water Flow Rate Range max. cmh (m³/hour)</b>	1360	4160	8500	19100	33400
<b>Main Pipe Size (mm)</b>	80-400	400-700	750-1000	1050-1500	1500-2000
<b>Inlet Size (mm)</b>	50	80	100	150	200
<b>Small Orifice Size (mm)</b>	3.0	3.5	4.5	5.5	6

**PRODUCT SELECTION**

**VT - XX - ARV(SC) - XX - X - X - XX**



**VAHN-TECH International Inc.**  
 10-755 Queensway East, Mississauga, Ontario L4Y 4C5, Canada  
 Tel.: +1 416 342 0001 E-mail: info@vahn-tech.com

[www.vahn-tech.com](http://www.vahn-tech.com)