



KNIFE GATE VALVES





VAHN-TECH International Inc., headquartered in Toronto, Canada is a unique company within the Flow Control Industry.

- ✳ 'vt' brand = high quality certified products (API, NSF, CSA, WRAS etc.)
- ✳ Valves, Actuators and Accessories – all 'vt' branded
- ✳ Width and Depth of Product Offerings
- ✳ Flexibility to customize products to customer needs
- ✳ Specialized user-friendly products including large sizes
- ✳ Quick Response
- ✳ Reduced Delivery times
- ✳ Efficient after sales service
- ✳ Competitive Pricing

VAHN-TECH International Inc. is a customer focused organization based on “Value-add” and “Quality Service” principles. Achieving long term partnership with our customers and being their supplier of choice is our prime mission.

We develop, manufacture and market VAHN-TECH (vt) branded Valves, Actuators, Automatic Control Valves and Accessories for variety of Industrial Applications. Our product range includes:



Oil and Gas



Water and Sewage,
Desalination



Chemicals



Paper and Pulp



Irrigation



Power Plants



Various
Industrial Applications

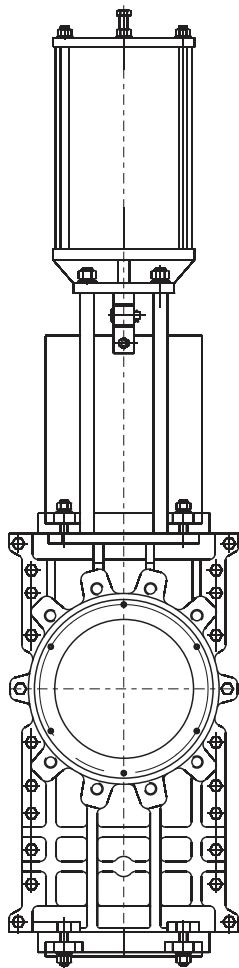
We can supply all types of valves with following materials of construction like:

Ductile Iron, Cast Iron, Carbon Steel, Stainless Steel – SS304, SS304L, SS316, SS316L, Duplex Stainless Steel, Super Duplex, Alloy, Monel and Inconel with variety of seating and stem configurations.



DT Series - Through-Going Type

Vahn-Tech DT Series knife gate valve is mainly intended for process control in pulp slurry, residue discharge and sewage treatment. It is especially suitable for installation with equipment such as stock cleaners, gravity separators, aqua pulper.



Features

1. Valve is full port in the position with low flow resistance.
2. Two-piece body construction with no cavities eliminates product build-up.
3. Tight shutoff, reliable performance.
4. O-ring loaded removable seat is self-compensating with good abrasion resistance and long service life.
5. Available seat materials: Metal, PTFE or EPDM

Technical Specification

Specifications		
Size Range	3" - 24" / DN80 - DN600	
Flange Connection	ANSI Class 150	
Connection Type	Wafer Type	
Temperature Range	-20°C to 120°C (-4°F to 248°F)	
Applicable Medium	Pulp, Slurry, Sewage, Slag	
Nominal Pressure	10.3 bar (150 psi) for sizes up to 24" / 6.9 bar (100 psi) for sizes 28" and above	
Hydraulic Test	100% testing according to MSS SP-81 (respectively AWWA C520)	
	Shell	1.5*PN
	Packing	1.1*PN
	Seat	2.8 bar and maximum allowable differential pressure

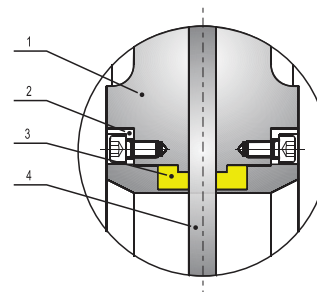
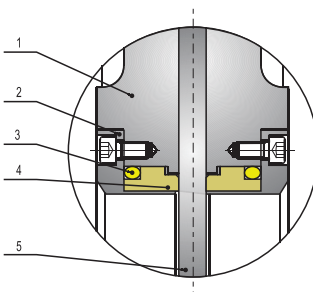
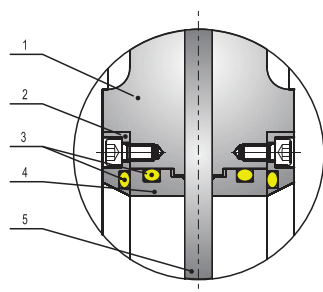
DT Series are bi-directional up to 10 bar.

Torque

Size		Torque Value* (N.m)
NPS	DN	
3"	80	91
4"	100	111
5"	125	150
6"	150	182
8"	200	215
10"	250	312
12"	300	403
14"	350	598
16"	400	676
18"	450	845
24"	600	1105

* Including 30% safety factor.

Seat Construction

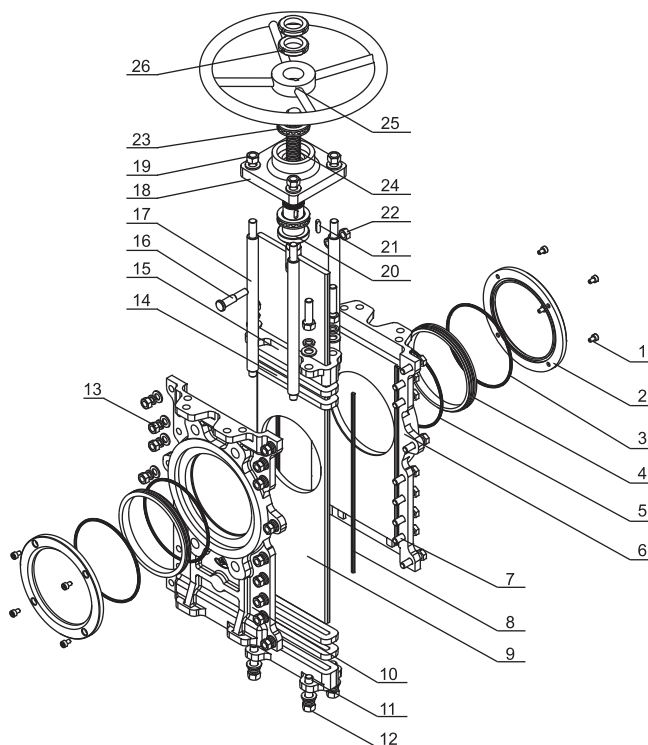


Metal Seat		
No.	Name	Temperature
1	Body	-29°C to 100°C Option: -20°C to 230°C
2	Retainer	
3	O-Ring	
4	Seat	
5	Gate	

PTFE Seat		
No.	Name	Temperature
1	Body	-20°C to 120°C
2	Retainer	
3	O-Ring	
4	PTFE Seat	
5	Gate	

EPDM Seat		
No.	Name	Temperature
1	Body	-20°C to 120°C
2	Retainer	
3	EPDM Seat	
4	Gate	

DT Series - Through-Going Type

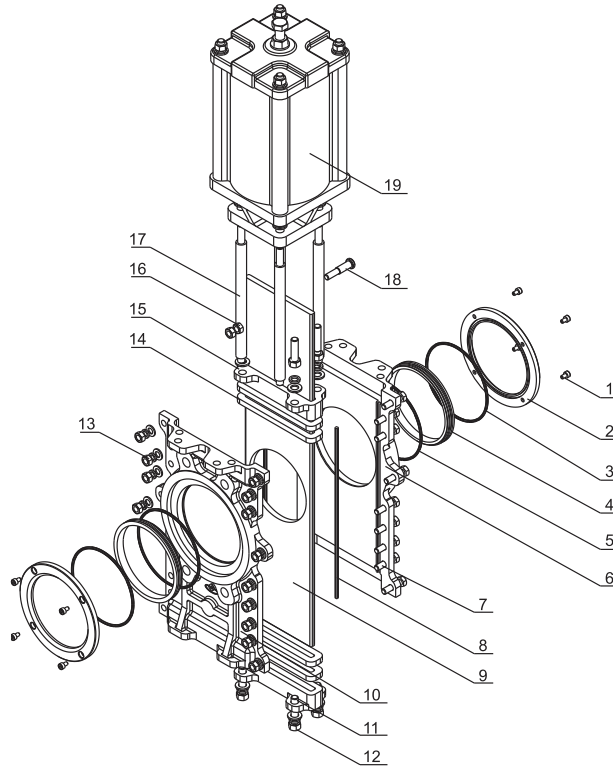


DT Series with Handwheel

Parts List

No.	Parts Name	Materials	Qty.	No.	Parts Name	Materials	Qty.
1	Hexagon Socket Head Cap Screws	SS304	-	14	Packing	PTFE	1
2	Sealing Cap	SS304 / SS316	2	15	Gland Packing	CF8 / CF8M / WCB	2
3	O-Ring	NBR / Viton	2	16	Connection Pin	SS304	1
4	Seat	SS304 / SS316 + Cr	2	17	Pillar	SS304 / 45# + Cr	4
5	O-Ring	NBR / Viton	2	18	Square Plate	ZI108	1
6	Upper Body	CF8 / CF8M / WCB	1	19	Hexagon Nut	SS304 / 45# + Cr	4
7	Hexagon Bolt	SS304	-	20	Driving Nut	SS304	1
8	Gasket	NBR	2	21	Flat Key	45# Nickel Plating	1
9	Gate	SS304 / SS316 / SS410 + Cr / N	1	22	Hexagon Nut	SS304	2
10	Lower Body	CF8 / CF8M / WCB	1	23	Plane Bearing	GCr6	2
11	Stud	SS304	-	24	Connection Rod	SS304 / 45# + Cr	1
12	Hexagon Nut	SS304	-	25	Handwheel	Ductile Iron	1
13	Hexagon Nut	SS304	-	26	Nut	45# Nickel Plating	1

DT Series - Through-Going Type



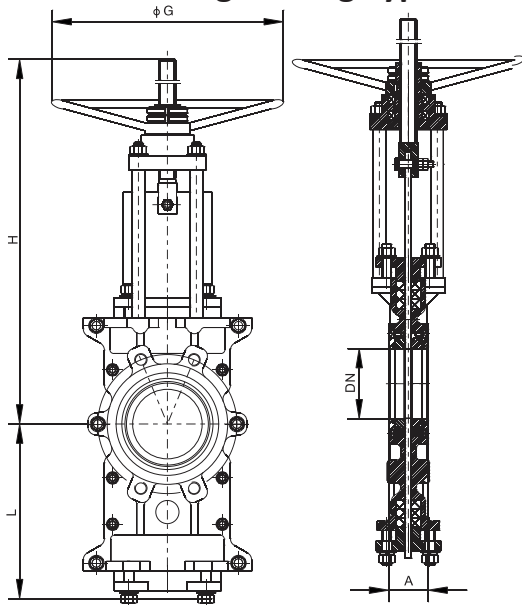
DT Series with Pneumatic Cylinder

Parts List

No.	Parts Name	Materials	Qty.
1	Hexagon Socket Head Cap Screws	SS304	-
2	Sealing Cap	SS304 / SS316	2
3	O-Ring	NBR / Viton	2
4	Seat	SS304 / SS316 + Cr	2
5	O-Ring	NBR / Viton	2
6	Upper Body	CF8 / CF8M / WCB	1
7	Hexagon Bolt	SS304	-
8	Gasket	NBR	2
9	Gate	SS304 / SS316 / SS410 + Cr / N	1
10	Lower Body	CF8 / CF8M / WCB	1

No.	Parts Name	Materials	Qty.
11	Stud	SS304	-
12	Hexagon Nut	SS304	-
13	Hexagon Nut	SS304	-
14	Packing	PTFE	1
15	Gland Packing	CF8 / CF8M / WCB	2
16	Hexagon Nut	SS304	2
17	Connection Rod	SS304 / 45# + Cr	4
18	Connection Pin	SS304	1
19	Actuator	/	1

DT Series - Through-Going Type



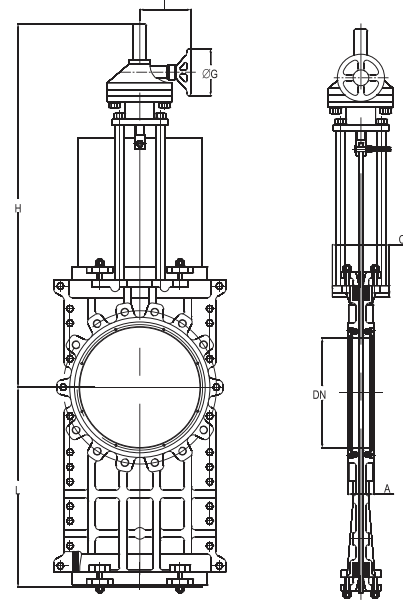
DT Series with Handwheel

Dimension

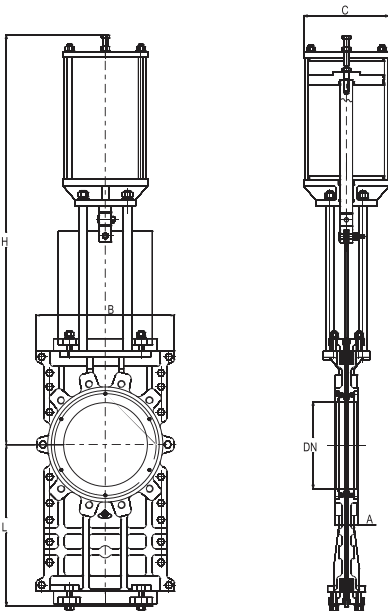
Size		Main Dimension (mm)						
NPS	DN	A	B	C	ØG	H (Open)	H (Close)	L
3"	80	51	200	100	220	400	480	250
4"	100	51	220	100	220	430	530	350
5"	125	57	250	100	250	490	615	410
6"	150	57	270	120	280	530	695	450
8"	200	70	350	130	315	620	820	570
10"	250	70	410	140	355	740	990	630
12"	300	76	470	160	400	840	1140	710
14"	350	76	550	200	450	950	1300	810
16"	400	89	620	210	500	1030	1430	910

Dimensions

Size		Main Dimension (mm)							
NPS	DN	A	B	C	ØG	H (Open)	H (Close)	I	L
8"	200	70	350	130	310	750	850	225	570
10"	250	70	410	140	310	860	1110	225	630
12"	300	76	470	160	310	990	1290	225	710
14"	350	76	550	200	310	1100	1450	260	810
16"	400	89	620	210	310	1170	1570	260	910
18"	450	110	700	220	460	1360	1810	340	1000
20"	500	114	730	220	460	1410	1910	340	1110
24"	600	134	860	250	460	1630	2190	340	1280



DT Series with Bevel Gear



DT Series with Pneumatic Actuator

Dimensions

Size		Main Dimension (mm)					
NPS	DN	A	B	C	L (Open)	L (Close)	H
3"	80	51	200	120	250	250	610
4"	100	51	220	145	350	350	620
5"	125	57	250	180	410	410	755
6"	150	57	270	180	450	450	800
8"	200	70	350	240	520	520	1000
10"	250	70	410	240	630	630	1170
12"	300	76	470	290	710	710	1350
14"	350	76	550	350	810	810	1570
16"	400	89	620	400	910	910	1700
18"	450	110	700	450	1000	1000	1940
20"	500	114	730	450	1100	1100	2050
24"	600	134	860	500	1280	1280	2350



VAHN-TECH International Inc.

10-755 Queensway East, Mississauga, Ontario L4Y 4C5, Canada
Tel.: +1 416 342 0001 E-mail: info@vahn-tech.com

www.vahn-tech.com