

## FOOT VALVES

The foot valve prevents water from flowing backwards out of the pump and well piping back into the well when the pump stops operating. Foot valves are also used on deep well installation to help protect against loss of prime in the well piping system.

### Design Features:

- ✦ Designed for heavy duty municipal and industrial pumping applications.
- ✦ High strength ductile iron body used for lowering the weight and improving long term durability.
- ✦ All iron parts are coated inside & outside with fusion bonded epoxy for corrosion resistance per AWWA C550.
- ✦ Simple and reliable construction with Stainless Steel mesh, bronze bushing providing drop tight sealing to ensure no loss of suction.
- ✦ Long life seat with compression molded rubber sealing on the ductile iron disc.
- ✦ The waterway is smooth, well rounded and provides superior flow characteristics and low-pressure loss.
- ✦ ANSI B16.1 Class 125 and ANSI B16.5 Class 150 flanges are both available.
- ✦ NSF61 approved material available as option.

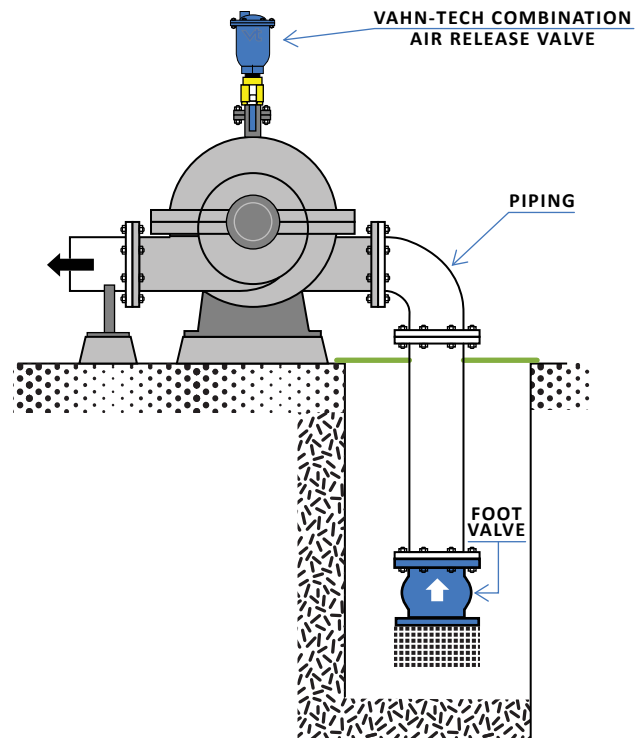


### Typical Applications:

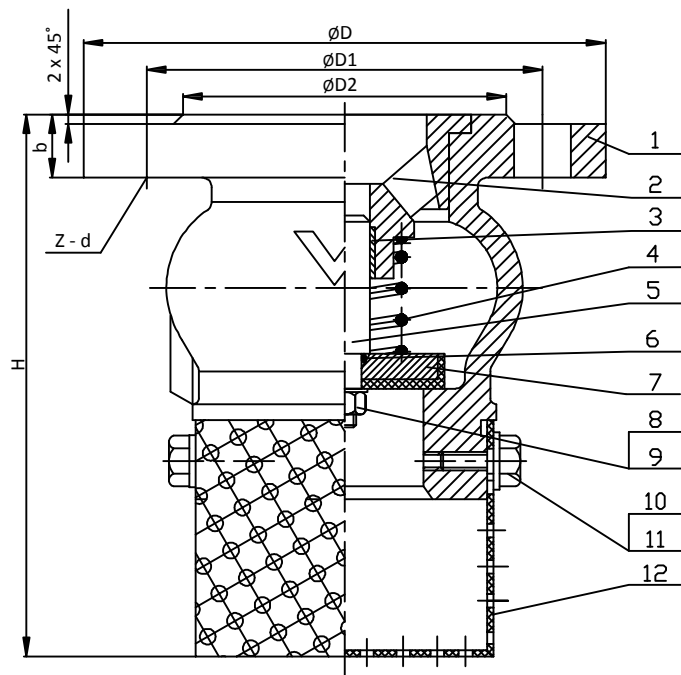
General Water Supply, Pumping & Sewage System

### Technical Data:

Size Range:	1 ½" – 24"
Pressure Rating:	200 psi
Working Temperature:	-10°C – 80°C
End Connection:	ANSI B16.1 / ANSI B16.5
Test & Inspection:	API 598



## Foot Valves 1 1/2" - 24"



### Parts List & Materials

No.	Parts Name	Materials	Standards
1	Body	Ductile Iron	ASTM A536
2	Bonnet	Ductile Iron	ASTM A536
3	Bushing	Bronze	ASTM B62
4	Spring	-	65Mn
5	Guiding Stem	Stainless Steel	SS420
6	O-Ring	NBR	ASTM D2000
7	Disc	Ductile Iron / NBR	ASTM A536 / NBR
8	Nut	Carbon Steel	A3
9	Washer	Carbon Steel	A3
10	Nut	Carbon Steel	A3
11	Washer	Carbon Steel	A3
12	Sleeve	Stainless Steel	SS304 / SS316

### Main Dimensions

unit: inch

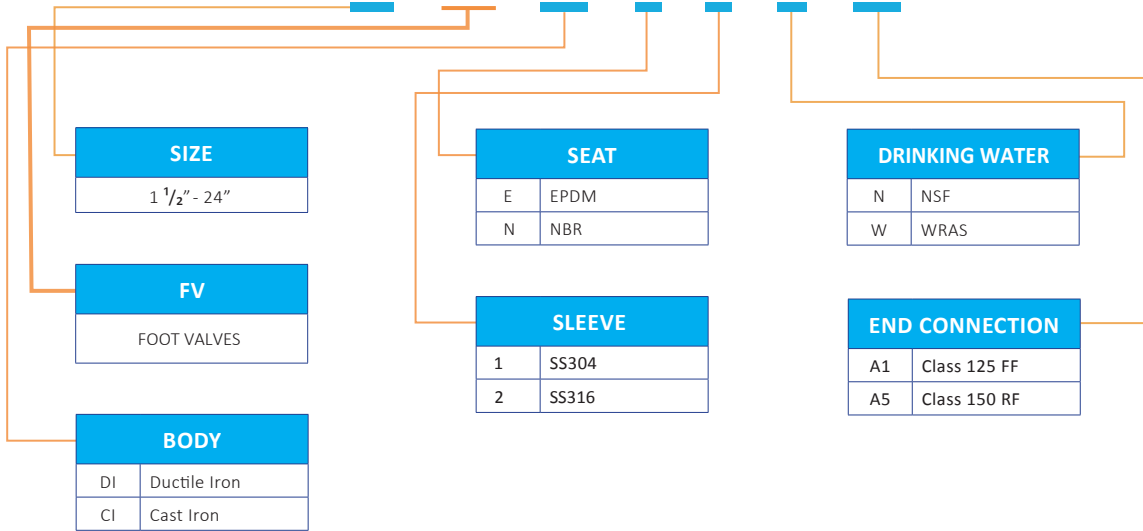
NPS	D	D1	D2	H	b	Z - d
1 1/2"	5	3 7/8	2 7/8	5 7/8	3/4	4 - 3/4
2"	6	4 3/4	3 3/8	6 1/2	3/4	4 - 3/4
2 1/2"	7	5 1/2	4 1/8	7 7/8	3/4	4 - 3/4
3"	7 1/2	6	5	8 3/4	7/8	4 - 3/4
4"	9	7 1/2	6 1/8	10 3/8	1	4 - 3/4
5"	10	8 1/2	7 3/8	11 3/4	1	8 - 7/8
6"	11	9 1/2	8 1/4	14 1/8	1	8 - 7/8
8"	13 1/2	11 3/4	10 3/8	18 1/2	1 1/8	8 - 7/8
10"	16	14 1/4	12 3/4	22 3/8	1 1/4	12 - 1
12"	19	17	15	25 3/4	1 1/4	12 - 1
14"	21	16 3/8	18 3/4	26 1/2	1 3/8	12 - 1 1/8
16"	23 3/8	18 3/8	21 1/4	32 3/4	1 1/2	16 - 1 1/8
18"	25	21	22 3/4	35 5/8	1 1/2	16 - 1 1/4
20"	27 3/8	23	25	39 3/8	1 3/4	20 - 1 1/4
24"	32	27 3/8	29 1/2	47 1/2	1 7/8	20 - 1 3/8

unit: mm

DN	D	D1	D2	H	b	Z - d
40	127	98.5	73	148	18	4 - 19
50	152	120.5	92	166	20	4 - 19
65	178	139.5	105	201	20	4 - 19
80	191	152.5	127	221	22	4 - 19
100	229	190.5	157	265	24	8 - 19
125	254	216	186	300	26	8 - 22
150	279	241.5	216	360	26	8 - 22
200	343	298.5	270	470	30	8 - 22
250	406	362	324	568	32	12 - 25
300	483	432	381	653	32	12 - 25
350	533	476	413	673	35	12 - 29
400	597	539.5	470	832	37	16 - 29
450	635	577.9	533	905	39.7	16 - 32
500	699	635	584	1013	43	20 - 32
600	813	749.5	692	1207	48	20 - 35

**PRODUCT SELECTION**

**VT - XX - FV - XX - X - X - X - XX**



**VAHN-TECH International Inc.**  
 10-755 Queensway East, Mississauga, Ontario L4Y 4C5, Canada  
 Tel.: +1 416 342 0001 E-mail: info@vahn-tech.com

[www.vahn-tech.com](http://www.vahn-tech.com)